

DIMENSIONS ARE IN INCHES  
METRIC MOUNTING OPTIONAL

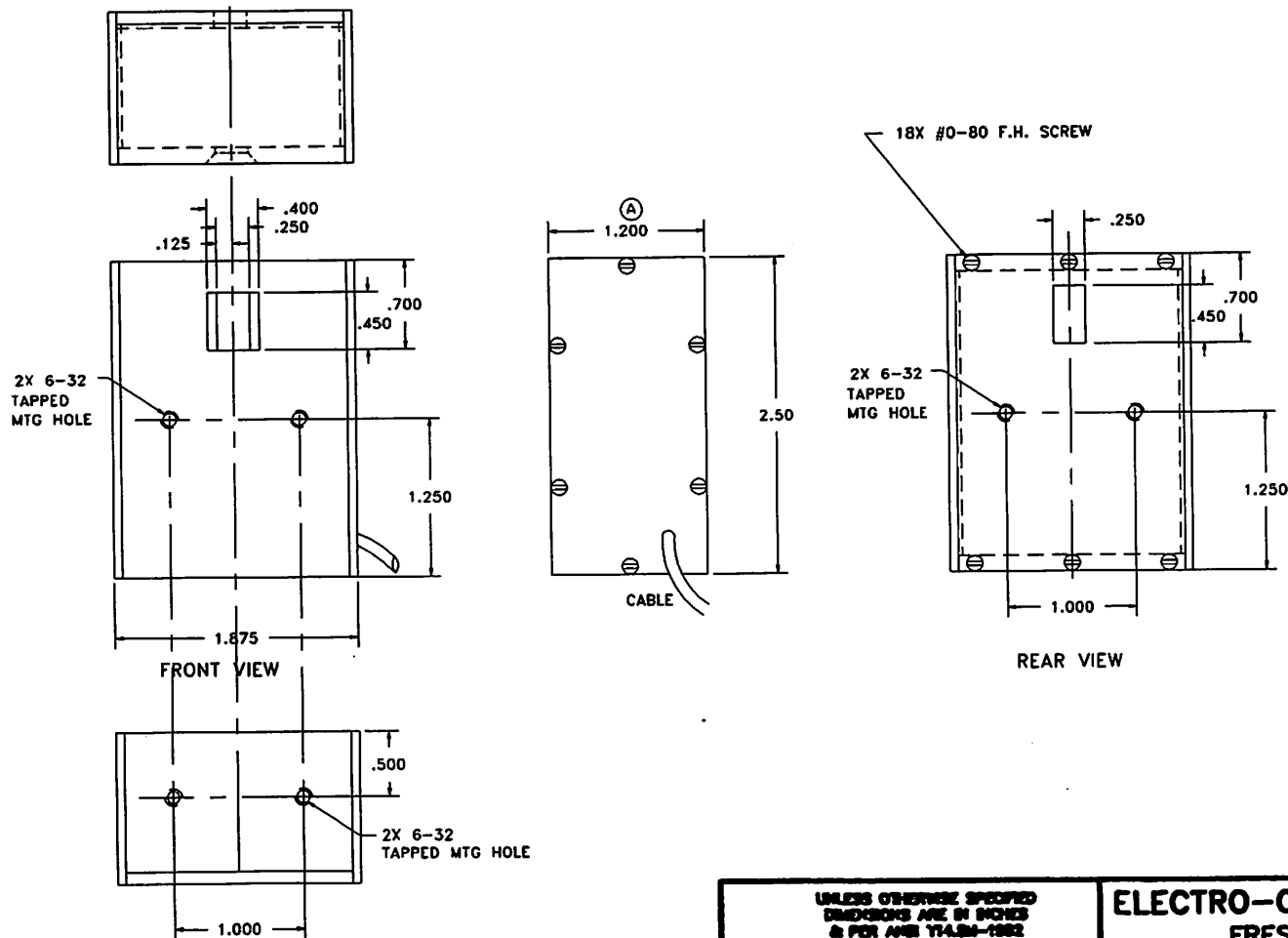
SCALE: 1=1

**ELECTRO-OPTICAL PRODUCTS PROPRIETARY**

THIS DOCUMENT CONTAINS PROPRIETARY INFORMATION AND EXCEPT WITH WRITTEN PERMISSION OF ELECTRO-OPTICAL PRODUCTS CORPORATION SUCH INFORMATION SHALL NOT BE PUBLISHED, OR DISCLOSED TO OTHERS, OR USED FOR ANY PURPOSE, AND THE DOCUMENT SHALL NOT BE DUPLICATED IN WHOLE OR IN PART.

**REVISIONS**

REV	DESCRIPTION	DATE	APPROVED
A	1.200 WAS 1.189	1/18/99	



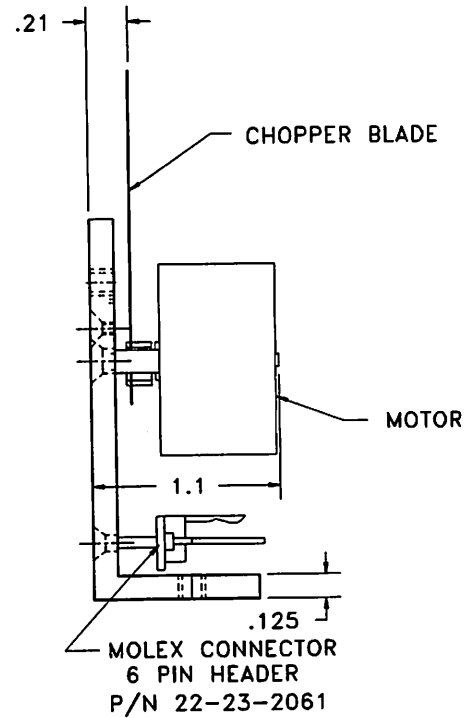
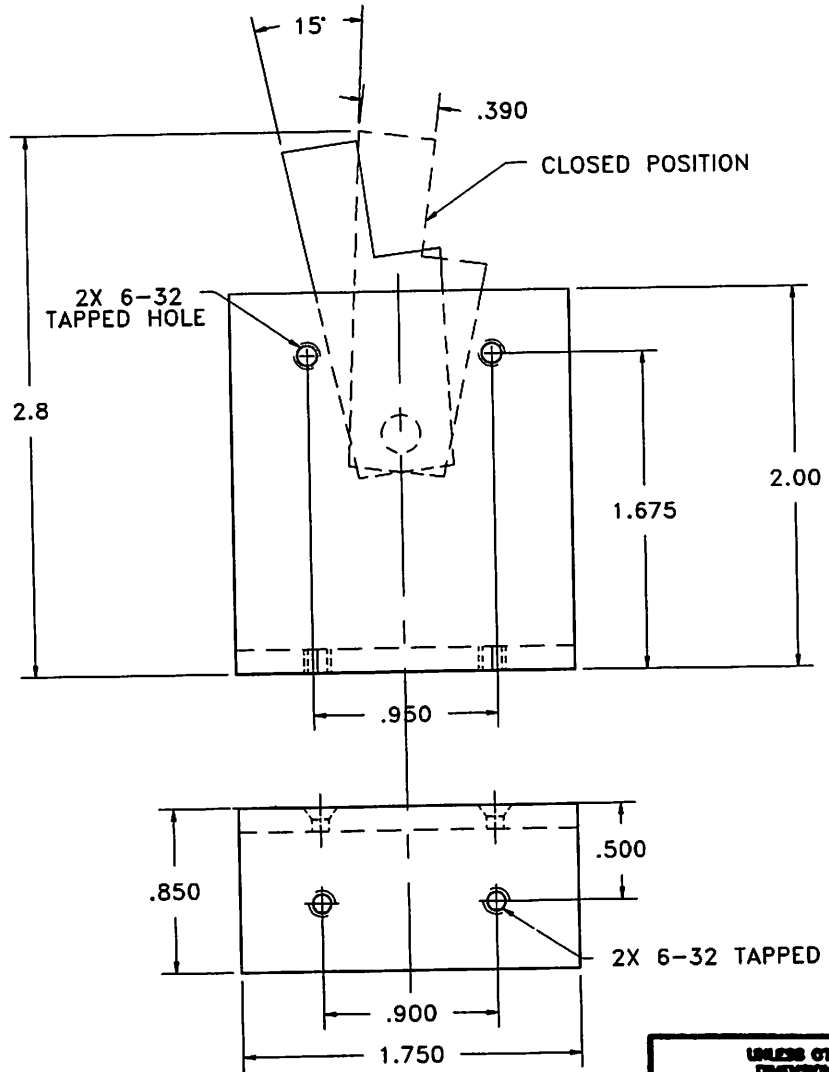
UNLESS OTHERWISE SPECIFIED DIMENSIONS ARE IN INCHES & PER AMS Y14.5M-1982 FRACTIONS ± ANGLES ±1/2° 3 PLACE DECIMALS ±.005 2 PLACE DECIMALS ±.01 HOLES ±		<b>ELECTRO-OPTICAL PRODUCTS CORP.</b> FRESH MEADOWS, NEW YORK	
		TITLE <b>OUTLINE DRAWING</b> <b>CH-60 CHOPPER, ENCLOSED</b>	
PREPARED 1/15/99	SIZE <b>A</b>	DWG NO. <b>99-100472</b>	REV. <b>A</b>
APPROVED	SCALE <b>NTS</b>	SHEET <b>1 OF 1</b>	

**ELECTRO-OPTICAL PRODUCTS PROPRIETARY**

THIS DOCUMENT CONTAINS PROPRIETARY INFORMATION AND EXCEPT WITH WRITTEN PERMISSION OF ELECTRO-OPTICAL PRODUCTS CORPORATION SUCH INFORMATION SHALL NOT BE PUBLISHED, OR DISCLOSED TO OTHERS, OR USED FOR ANY PURPOSE, AND THE DOCUMENT SHALL NOT BE DUPLICATED IN WHOLE OR IN PART.

**REVISIONS**

REV	DESCRIPTION	DATE	APPROVED



UNLESS OTHERWISE SPECIFIED  
DIMENSIONS ARE IN INCHES  
& PER ANSI Y14.5M-1982

FRACIONS ±  
ANGLES ±1/2°  
3 PLACE DECIMALS ±.005  
2 PLACE DECIMALS ±.01  
HOLES ±

PREPARED 2-17-99

APPROVED

**ELECTRO-OPTICAL PRODUCTS CORP.**  
FRESH MEADOWS, NEW YORK

TITLE OUTLINE DRAWING  
CH-60 CHOPPER

SIZE **A** DWG NO. 99-100489 REV. -

SCALE FULL SHEET 1 OF 1